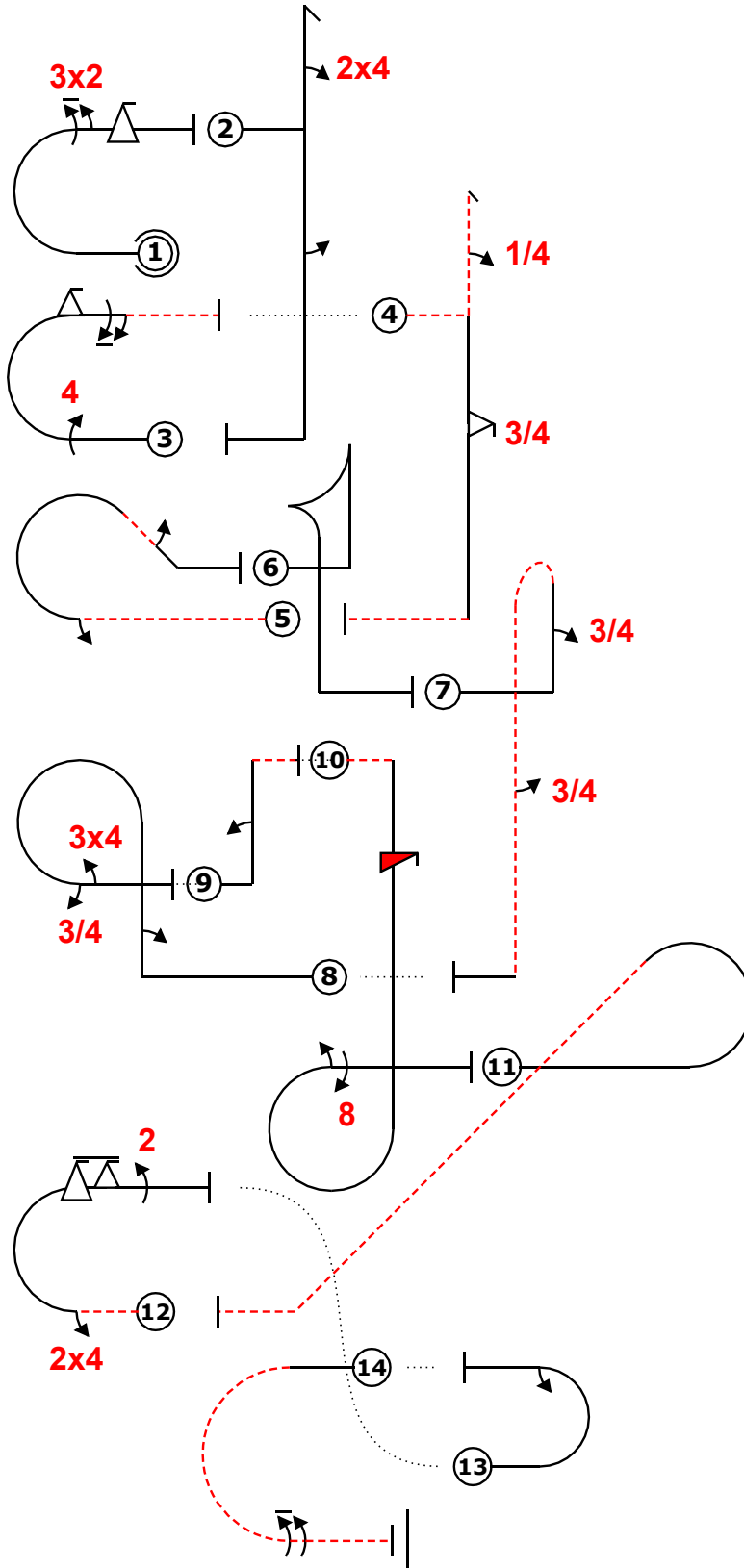




A- Programme 3 Alberdillon1		Form B
Pilote ID	CIVA Advanced Programme4	Vol N°

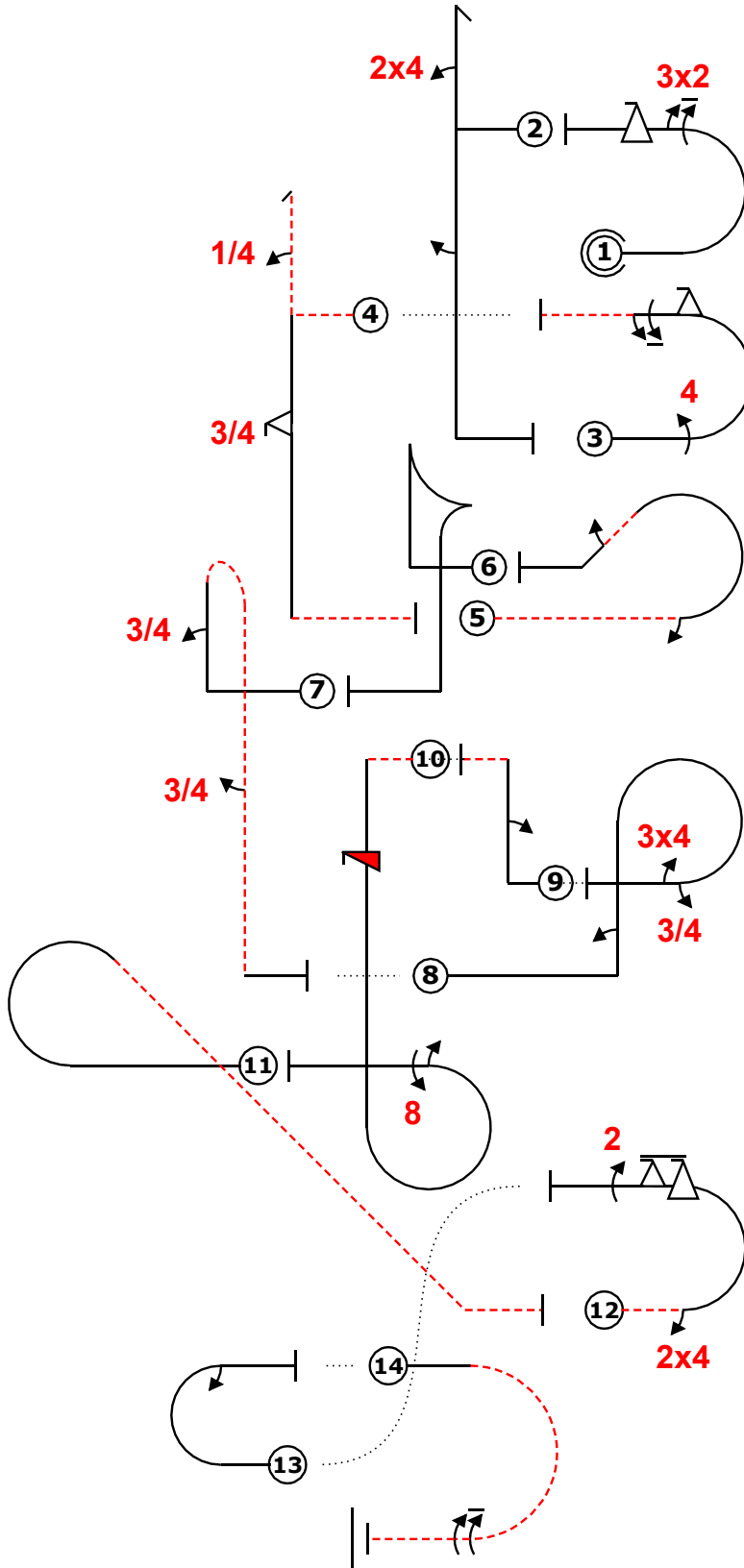


ed "@C" m32;F "@H" ,24h.'2...~ (0,0) "@D" ',44m2f,6~ (7,0) "@A" -,4h.3f...~ (0,0) "@L" -'2c2...~ "@I" +ta+~ "@J" '3'pb..3
 ...'+' (-4,0) "@B" ~++',2'rp,3'',34+ (-2,0) "@L" ''+v2- (-2,0) "@F" ''is...irp2,88~ "@L" ''c.....'~ (0,0) "@E" -24m6f;22 (13,18)
 "@L" -2% m2~ (-2,0) "@G" 4% 'a9-

Alberdillon pilote
 CAP 232 F-HKAP
 Avion

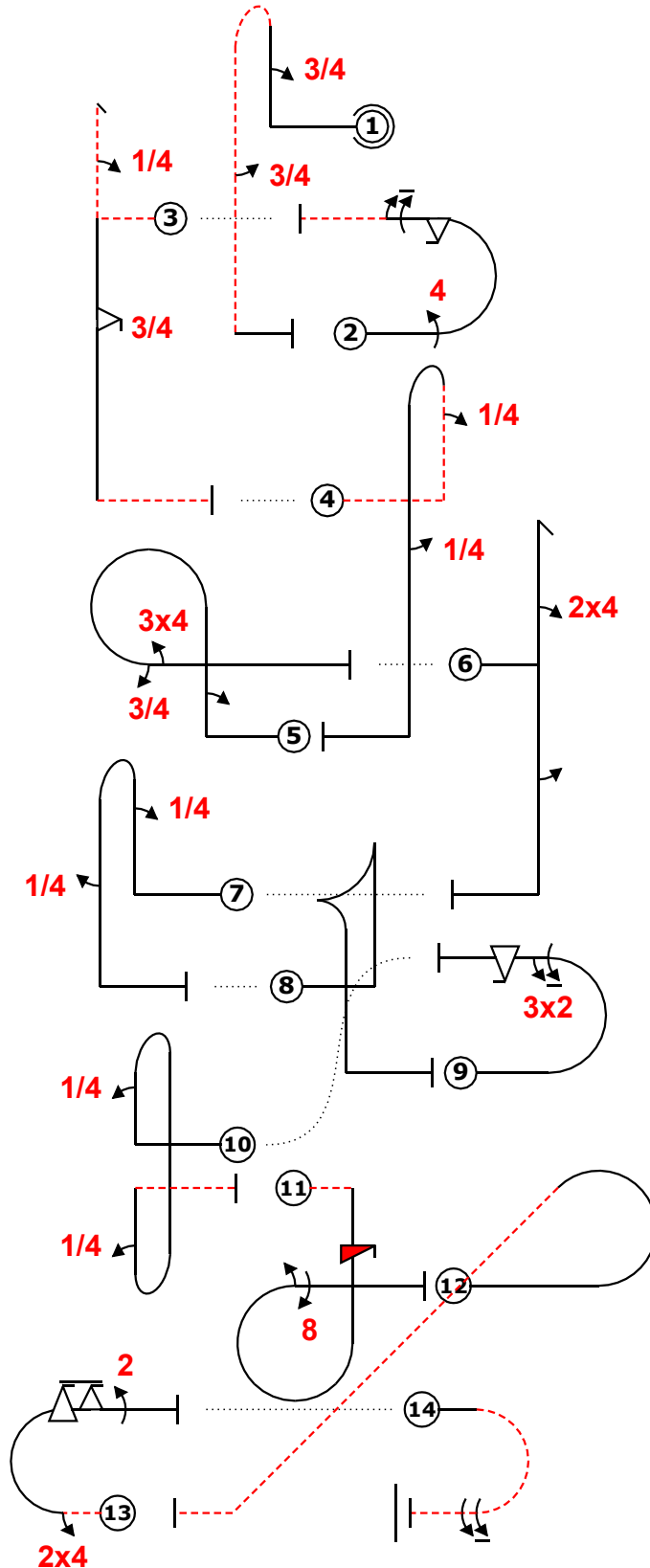


		Form C
Pilote ID	CIVA Advanced Programme4	
	Vol N°	



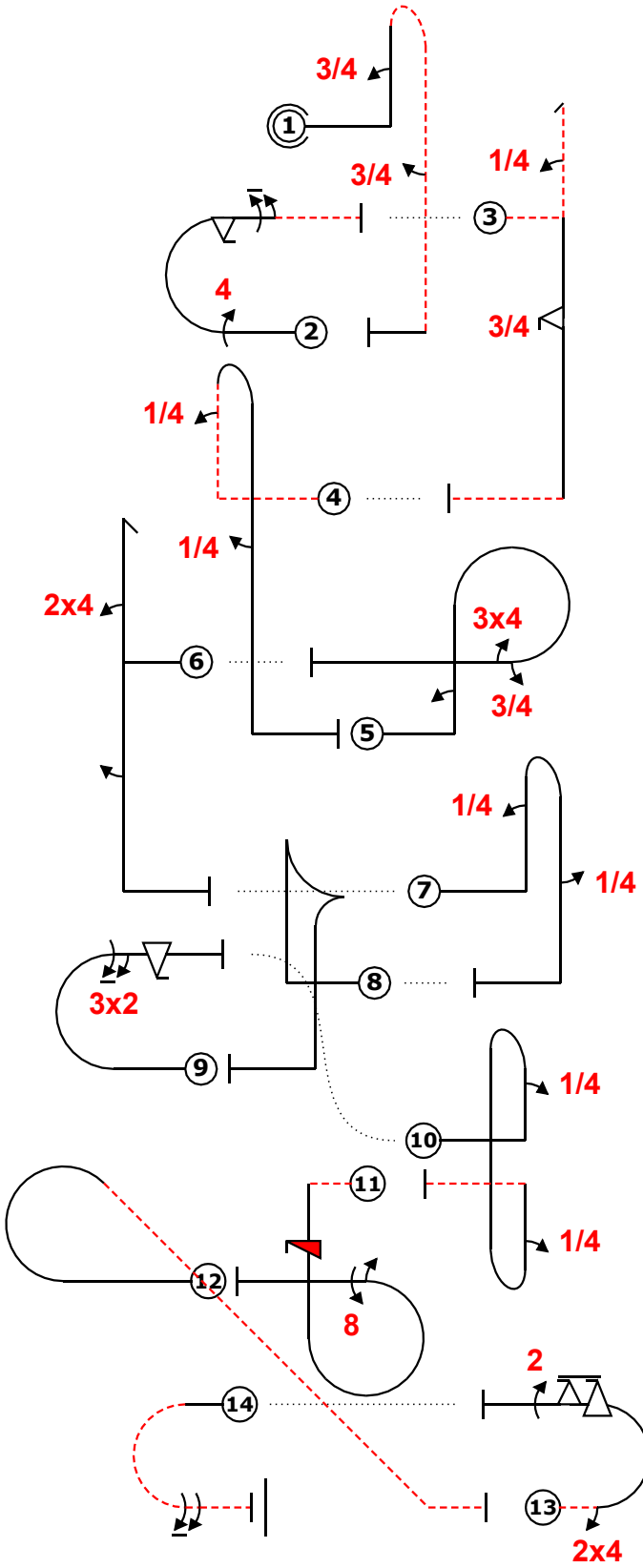
ed "@C" m32;F "@H",24h.2...~ (0,0) "@D" ',44m2f,6~ (7,0) "@A" -,4h.3f...~ (0,0) "@L" -' 2c2'..... "@I" ' +ta' " "@J" ' ',3'pb..3
 ..'+' (-4,0) "@B" ~++',2'rp,3' ',34+ (-2,0) "@L" ' +v2- (-2,0) "@F" ' 'is...irp2,88~ "@L" ' 'c.....' (0,0) "@E" -24m6f;22 (13,18)
 "@L" -2% m2~ (-2,0) "@G" 4% 'a9-

Alberdillon pilote
 CAP 232 F-HKAP
 Avion





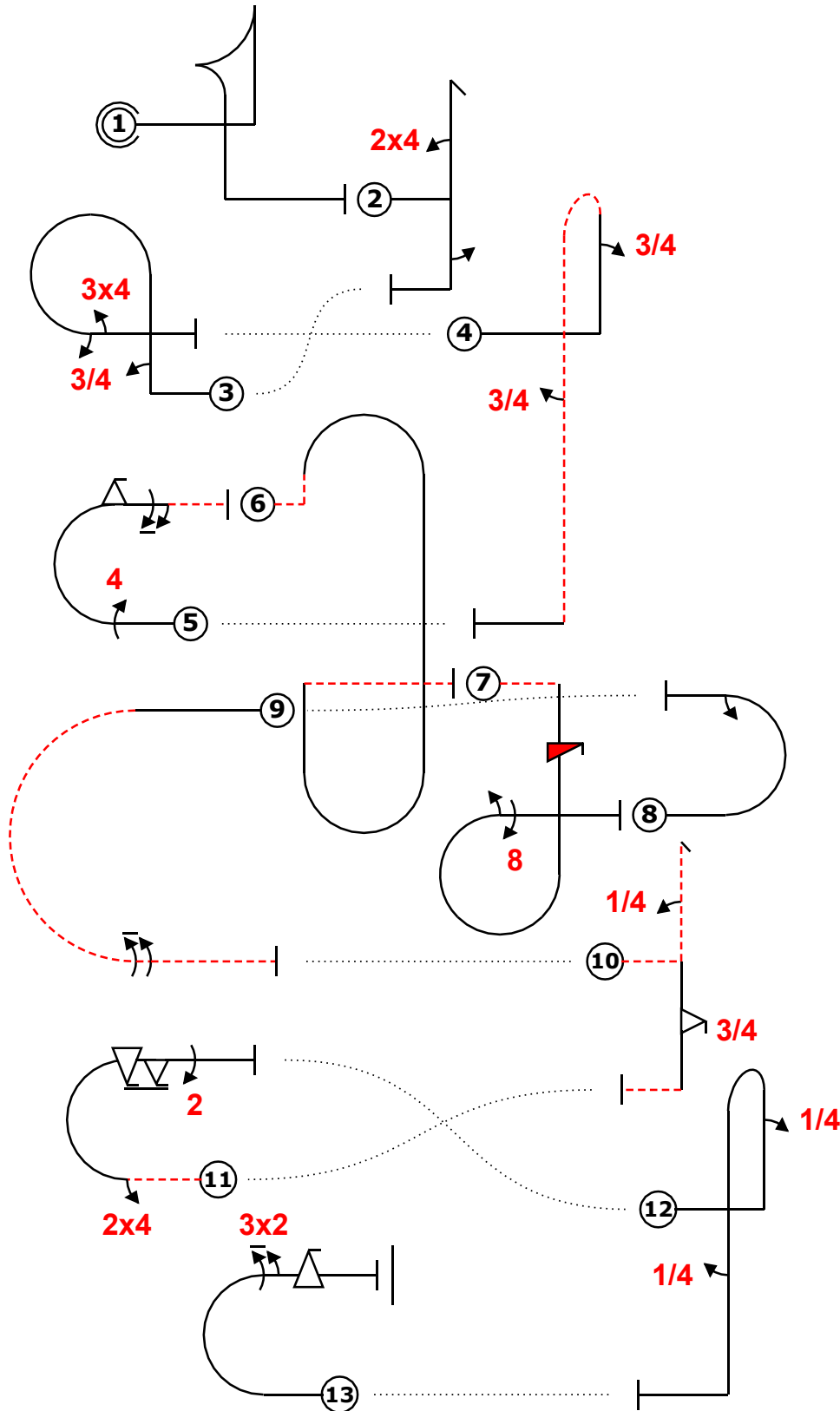
		Form C
Pilote ID	CIVA Advanced Programme4	Vol N°



ed "@J" ~,3'pb.3..'+` (0,0) "@D" '44m2f,6~ (~-5,0) "@A" ~,4h.3f... (~ (4,0) "@L" ~,4b.'4... "@B" ~,2rp,3' (~,34+++ (4,0) "@H" ~,24'h .'.2... (~ (-11,0) "@L" ~,4b,4. (3,0) "@I" ~,~'+ta+~ "@C" ~m32;f (-10,13) "@L" ~4bb4~ (0,0) "@F" ~-is'irp2,88~ "@L" ~~~~~c.....' (- (0,0) "@E" ~-1% ~-24m6f;22 (13,0) "@G" ~-1% ~a9-

Alberdillon pilote
CAP 232 F-HKAP
Avion

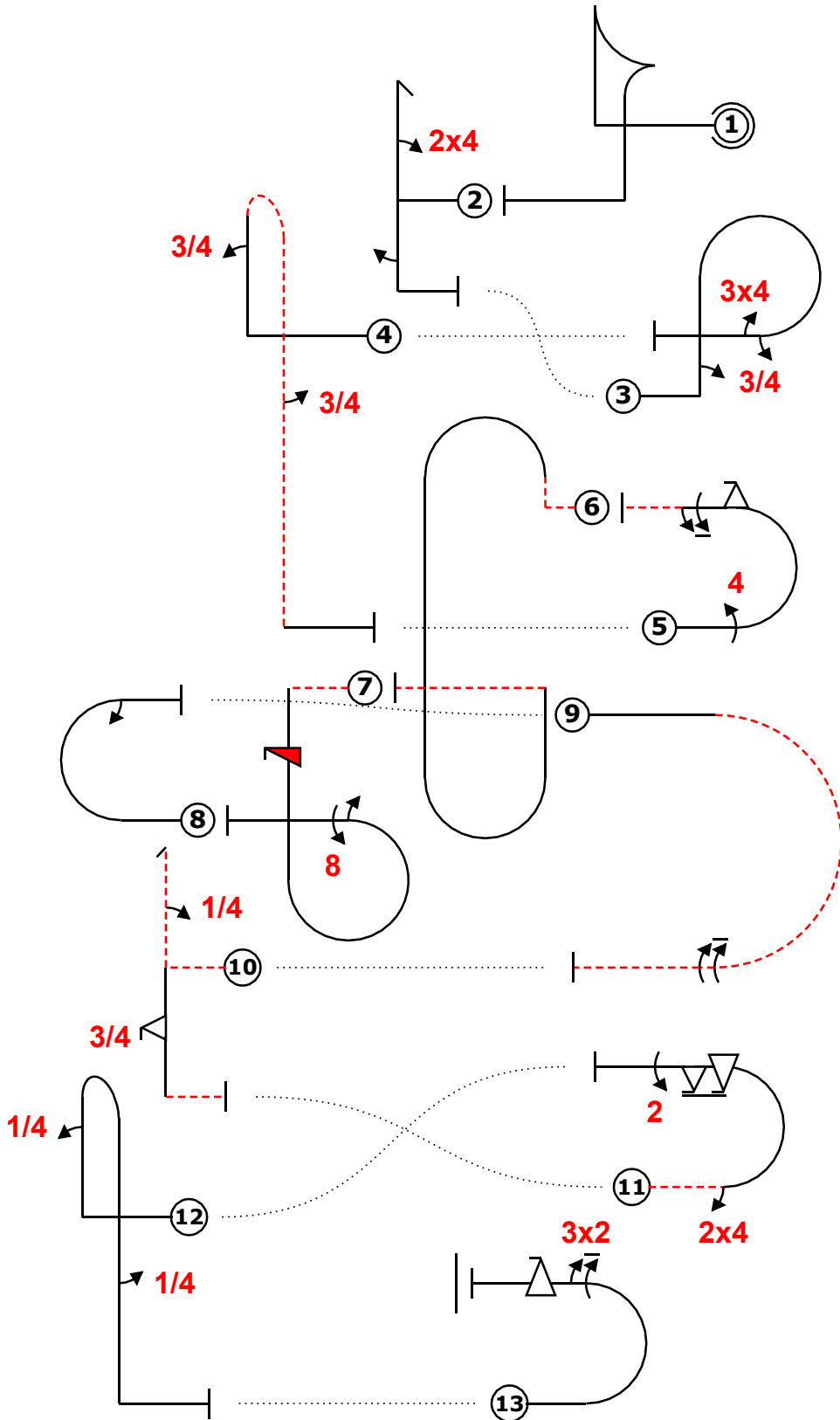
CF1 / Albert 04/07/2024		Form B
D - Programme 3 NCV		
Pilote ID	France Advanced inconnu-libre 3	
	Vol N°	



"@I" ta"" "@H" 24h2 (-7,7) "@B" 2rp,3,34 (14,0) "@J" ~,3pb.'',3...' (-15,0) "@0" ,44m2f,6- 10% "@L"bb(''')..... "@F" -isir p2,88~ "@L" m2 (-22,1) 11% "@G" a9- (18,0) "@A" -4h3f''- (-23,6) "@E" -'24m,6f;22 (23,10) "@L" ,4b.'',4.' (-16,0) "@C" m32;f

NCV Pilote
CAP 231 F-GRSL
Avion

CF1 / Albert 04/07/2024		Form C
Pilote ID	France Advanced inconnu-libre 3	Vol N°



"@I" ta"" "@H" 24h2 (-7,7) "@B" 2rp,3,34 (14,0) "@J" ~~,3pb.'',3...'' (-15,0) "@0" ,44m2f,6- 10% "@L"bb(''')..... "@F" -isir p2,88~ "@L" m2 (-22,1) 11% "@G" a9- (18,0) "@A" -4h3f''- (-23,6) "@E" -'24m,6f;22 (23,10) "@L" ,4b.'',4.' (-16,0) "@C" m32;f

NCV Pilote
CAP 231 F-GRSI
Avion